



18 ports full gigabit managed Industrial PoE Switch BI816PGM2F series

❖ Overview

BI816PGM2F is a 18-port full gigabit industrial managed PoE switch that supports up to 16*10/100/1000M PoE downlink ports, 2* 1000M SFP ports. 16*10/100/1000M ports support PoE+, conforming to IEEE 802.3af/at standard, PoE power each port up to 30W.

It supports L2 management, such as QoS, VLAN, MSTP, Multi-broadcast, ports management and PoE management.

It supports 6KV surge protection, 8KV contact/15KV air ESD protection.

It supports wall hanging, desktop and Din-rail installation, reliable and durable, and can be used in security network video monitoring, network engineering and other occasions.

❖ Features

- ❖ With 16*10/100/1000M PoE downlink ports, 2*1000M SFP ports, with L2 network management;
- ❖ Support PoE power each up to 30W;
- ❖ Support L2 management, such as QoS, VLAN, MSTP, Multi-broadcast, ports management and PoE management;
- ❖ 6KV surge protection, 8KV contact /15KV air ESD protection;
- ❖ Support working temperature -40°C ~75°C.

❖ Specifications

Parameter	Specifications
Power supply	Powered by power adaptor
Range of voltage	2*DC 48~57V, redundancy power supply
Consumption	Self-consumption<20W
Downlink ports	10/100/1000Base-T 30W PoE RJ45(IEEE 802.3af/at)
Uplink ports	Ports 9~10 1000M SFP slots
Cable and distance	Use cat5e/6,100m max
Standard	IEEE802.3, IEEE802.3u, IEEE802.3z
Switch fabric	36Gbps
Though put	26.78Mpps
Buffer	4M
MAC address table	16K
Indicator	Power: 2 *red ; Uplink 9~10: green LEDs indicate Link/Act Downlink 1~8: On RJ45 green LEDs indicate Link/Act, yellow LEDs indicate PoE

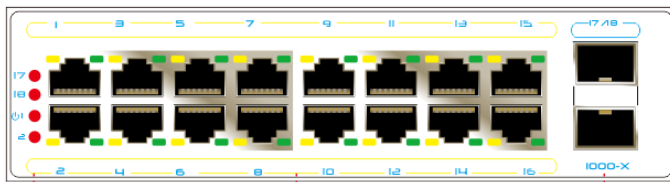


18 ports full gigabit managed Industrial PoE Switch BI816PGM2F series

Protection	Surge: 6KV, standard: IEC61000-4-5 ESD: 8KV: contact/15KV: air, standard: IEC61000-4-2
Working temperature	-40°C~75°C
Storage temperature	-40°C~85°C
Humidity	0~95%(No condensation)
Dimension(L×W×H)	165 mm×115 mm×50mm
Material	Metal
Color	Black
Net-weight	530g

❖ Panel diagram

Front Panel

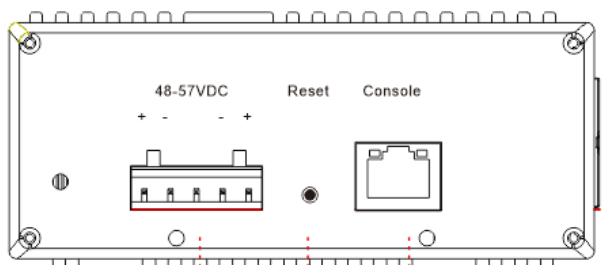


Port 17, 18 indicator
2 power indicator

16*10/100/1000 PoE ports

2*1000 SFP

Back Panel



2*DC48~57V power input

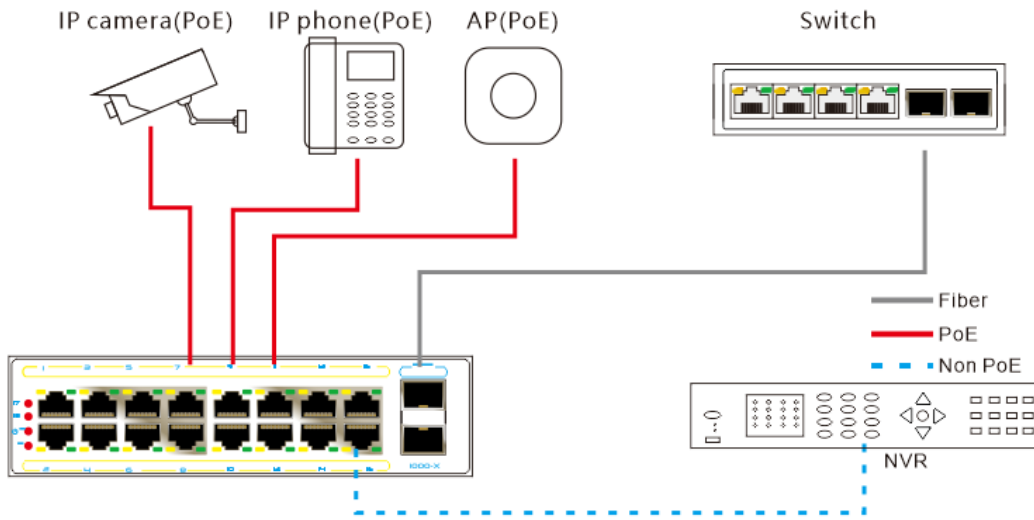
Reset key

Console port

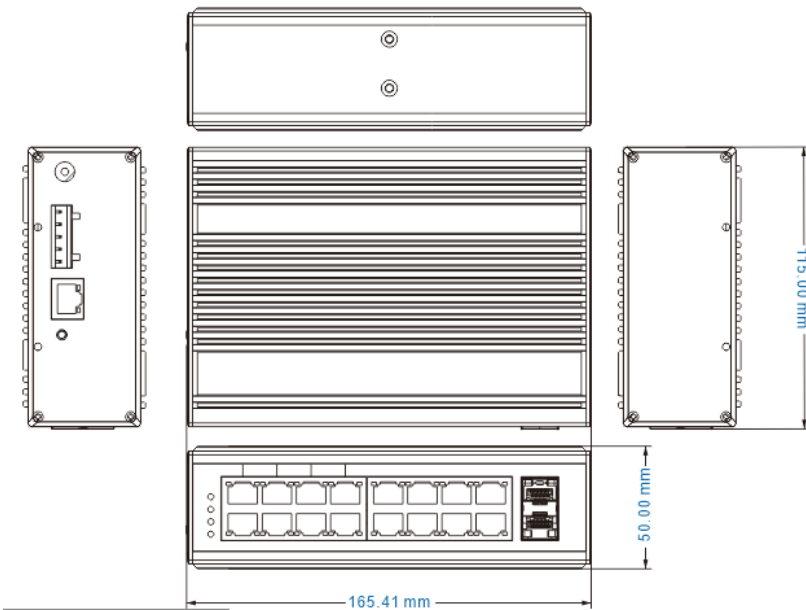


18 ports full gigabit managed Industrial PoE Switch BI816PGM2F series

❖ Application



❖ Dimensions





18 ports full gigabit managed Industrial PoE Switch BI816PGM2F series

❖ Order information

Model	Description
BI816PGM2F	16*10/100/1000M PoE ports, 2*1000M SFP ports, 1~16 port support 30W; 2*48~57VDC; Support L2 management, such as QoS, VLAN, MSTP, Multi-broadcast, ports management and PoE management; 6KV surge protection, 8KV contact /15KV air ESD protection.
BI816GM2F	16*10/100/1000M ports, 2*1000M SFP ports; 2*12~60VDC; Support L2 management, such as QoS, VLAN, MSTP, Multi-broadcast, ports management; 6KV surge protection, 8KV contact /15KV air ESD protection.

BORN ELECTRONICS LIMITED

ADDRESS:

#94A
Goldsmith Avenue
London
United Kingdom
Phone: +4479 1989 8604
Email: info@bornelectronics.com

WARRANTY:

2 YEARS (EXPANDABLE UPTO 4 YEARS)

WEBSITE: <http://bornelectronics.com/>