



4 ports Industrial full gigabit PoE switch BI602PG2F series

❖ Overview

The BI602PG2F is a 4-port industrial full gigabit PoE switch that supports up to 2 *10/100/1000M 90W high power PoE ports and 2*1000M SFP ports. 2*10/100/1000M ports support PoE+, conforming to IEEE 802.3af/at standard.

Fiber ports provides 2 modes through the dip switch, 100M mode and 1000M mode to adapt variety needs.

It supports the PoE Auto-check function, which is specially designed to solve the problems of equipment frozen. It can automatically detect the frozen PD equipment and restart the ports' output of PSE, and restart the PD device. It greatly reduces the maintenance difficulty of engineering.

Supports Din-rail installation, which is reliable and durable, and can be used in security network video monitoring, network engineering and other occasions.

❖ Picture



❖ Features

- ❖ With 2*10/100/1000M Hi-PoE 90W ports and 2*1000M SFP ports;
- ❖ Fiber ports provides 2 modes through the dip switch, 100M mode and 1000M mode to adapt to variety needs;
- ❖ Supports relay alarm for power off, network broken and PoE off;
- ❖ Supports PoE Auto-check function, which is specially designed to solve the problems of equipment frozen. It can automatically detect the frozen PD equipment and restart the ports' output of PSE, and restart the PD device. It greatly reduces the maintenance difficulty of engineering;
- ❖ Supports 6KV surge protection, 6KV contact / 8KV air ESD protection;
- ❖ Supports working temperature -40°C~75°C.



4 ports Industrial full gigabit PoE switch BI602PG2F series

❖ Specifications

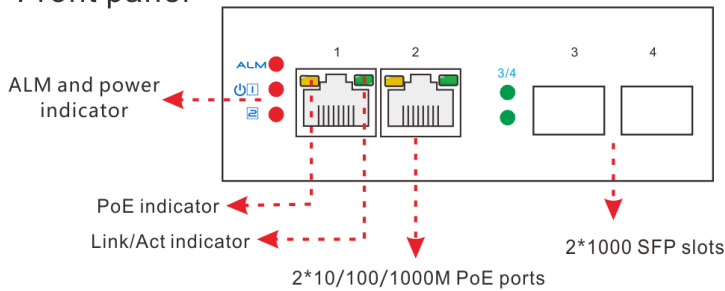
Parameter	Specifications
Power supply	Powered by power adaptor
Range of voltage	DC 48~57V
Consumption	Self-consumption<5W
Downlink ports	Ports 1~2 10/100/1000Base-T 90W PoE RJ45
Uplink ports	Ports 3~4 supports 2 modes of 100Base-FX and 1000Base-X
PoE Auto-check	If detect the frozen PD device, restart it
Working mode of fiber ports	It can be selected 100M or 1000M work mode by dip switch
Relay alarm	1 channel relay alarm output for power off, ports PoE off, ports link down
Cable and distance	Use cat5e/6,100m max
Standard	IEEE802.3, IEEE802.3u, IEEE802.3z
Switch fabric	8 Gbps
Though put	5.95 Mpps
Buffer	1M
MAC address table	8K
Indicator	Power: 2 *red ; Uplink3~4: Green LEDs indicate Link/Act Downlink 1~2: Yellow LED indicate PoE, green LEDs indicate Link/Act
Protection	Surge: 6KV, standard: IEC61000-4-5 ESD: 6KV: contact / 8KV: air, standard:IEC61000-4-2
Working temperature	-40°C~75°C
Storage temperature	-40°C~85°C
Humidity	0~95%(No condensation)
Dimension(L×W×H)	101 mm×65 mm×36mm
Material	Aluminum alloy
Color	Black
Net-weight	300g



4 ports Industrial full gigabit PoE switch BI602PG2F series

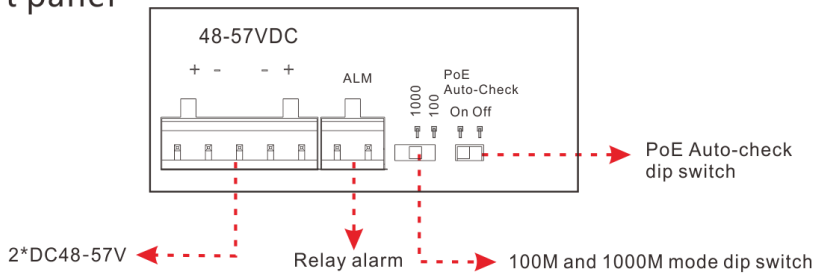
❖ Panel diagram

● Front panel



⚠ Attention1: This product must be well grounded against lightning , please use better than 20# cable to connect the grounding terminal and ground.

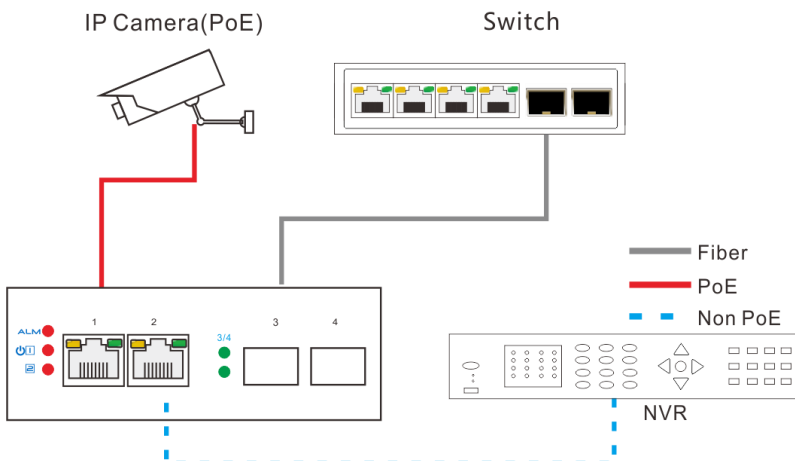
● Left panel



⚠ Attention 2: 100M and 1000M modes: It can be selected by dip switch.

⚠ Attention 3: PoE Auto-check: PoE Auto-check function is open/closed by dip switch. The switch always auto detect 1~2 ports whether frozen, if some ports are frozen, the switch will restart them, but other ports are unaffected.

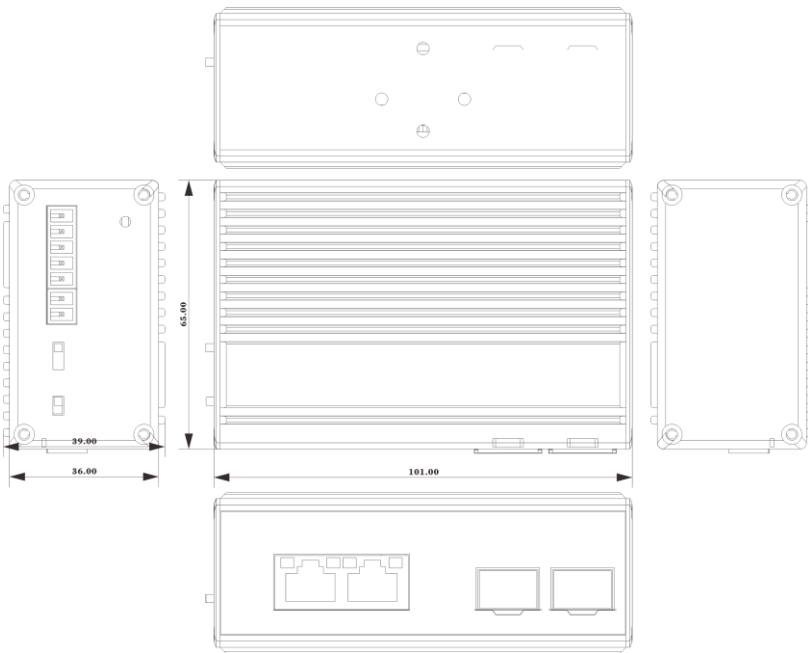
❖ Application





4 ports Industrial full gigabit PoE switch BI602PG2F series

❖ Dimensions



❖ Order information

Model	Description
BI602PG2F	With 2*10/100/1000M 90W PoE downlink ports and 2*1000M SFP ports; 2*DC48-57V power supply(Power adaptor buy extra); Fiber ports provides 2 modes through the dip switch, 100M mode and 1000M mode to adapt to variety needs; Supports relay alarm function for power off, network broken and PoE off; Supports the PoE Auto-check function.

BORN ELECTRONICS LIMITED

ADDRESS:

#94A
Goldsmith Avenue
London
United Kingdom
Phone: +4479 1989 8604
Email: info@bornelectronics.com

WARRANTY:

2 YEARS (EXPANDABLE UPTO 4 YEARS)

WEBSITE: <http://bornelectronics.com/>