



## 2 ports Industrial full gigabit switch BI601E1F

### ❖ Overview

BI601E1F is a 2-port industrial switch that supports up to 1 \*10/100M downlink port, 1\*100M SFP slot. It support relay alarm function for power off, network broken. It support high anti-interference ability, the product supports 6KV surge protection, 6KV/8KV ESD protection, which can be used in a variety of environments. It has the characteristics of reliable work, strong and durable, high performance and so on. It can be used in security network video monitoring system, network engineering and other occasions.

### ❖ Pictures



### ❖ Features

- ❖ With 1\*10/100M port,1\*100M SFP slot;
- ❖ Supports relay alarm for power off, network broken;
- ❖ With high anti-interference ability, the product supports 6KV lightning protection,
- ❖ 6KV/8KV ESD protection, which can be used in a variety of environments;
- ❖ Support wall type and desktop installation, reliable work, strong and durable,
- ❖ It can be widely used in security network video monitoring, network engineering and other occasions.



## 2 ports Industrial full gigabit switch BI601E1F

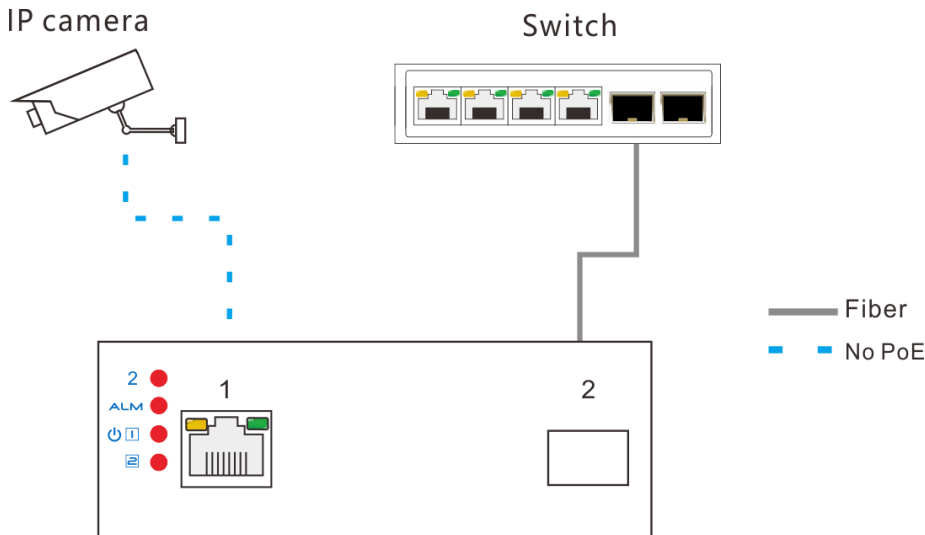
### ❖ Specifications

Parameter	Specifications
Power supply	Powered by power adaptor
Range of voltage	DC 12~60V
Consumption	Self-consumption<5W
Downlink ports	Ports 1: 10/100Base-TX RJ45 port
Uplink ports	Ports 2: 100Base-FX SFP
Relay alarm	1 channel relay alarm output for power off, ports link down
Cable and distance	Use cat5e/6,100m max
Standard	IEEE802.3, IEEE802.3u
Switch fabric	0.4 Gbps
Though put	0.2976 Mpps
Buffer	1M
MAC address table	8K
Indicator	Power: 2 *red ; Uplink2: Green LEDs indicate Link/Act Downlink 1: Green LEDs indicate Link/Act
Protection	Surge: 6KV, standard: IEC61000-4-5    ESD: 6KV: contact/8KV: air, standard:IEC61000-4-2
Working temperature	-40°C~75°C
Storage temperature	-40°C~85°C
Humidity	0~95%(No condensation)
Dimension(L×W×H)	101mm×65 mm×36mm
Material	Aluminum
Color	Black
Net-weight	300g



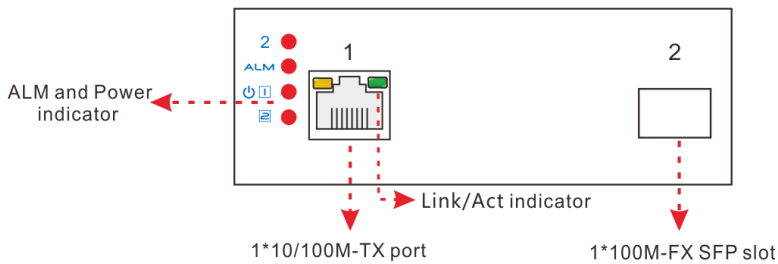
# 2 ports Industrial full gigabit switch BI601E1F

## ❖ Application

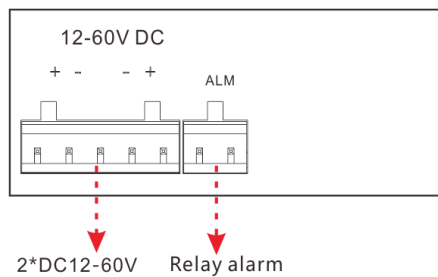


## ❖ Panel diagram

### ● Front panel



### ● Back panel

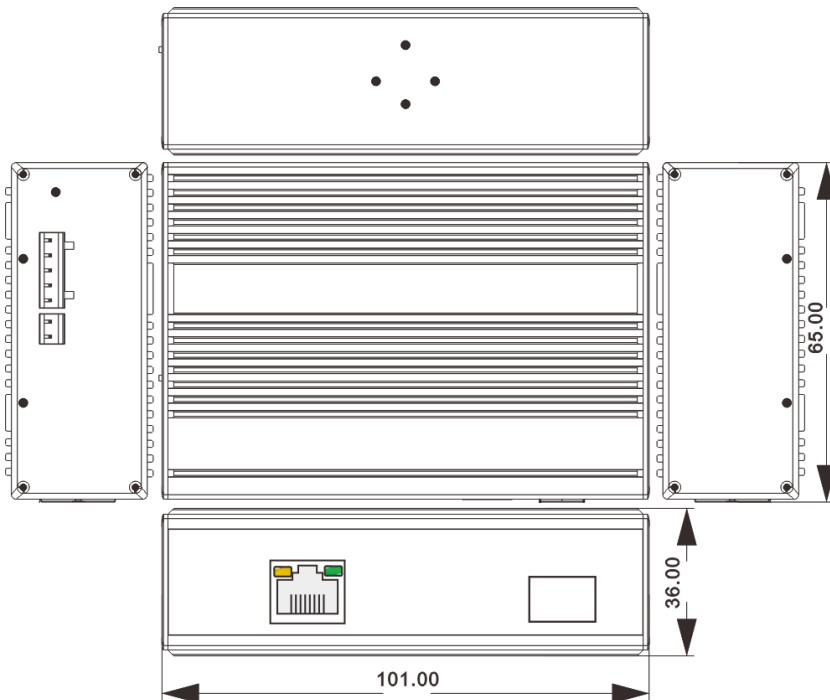


⚠ **Attention 1:** This product must be well grounded against lightning, please use better than 20# cable to connect the grounding terminal and ground.



## 2 ports Industrial full gigabit switch BI601E1F

### ❖ Dimensions



### ❖ Order information

Model	Description
BI601E1F	With 1*10/100M port and 1*100M SFP port; 2*DC12-60V power supply; Supports relay alarm function for power off, network broken.

#### **BORN ELECTRONICS LIMITED**

##### **ADDRESS:**

#94A  
Goldsmith Avenue  
London  
United Kingdom  
Phone: +4479 1989 8604  
Email: [info@bornelectronics.com](mailto:info@bornelectronics.com)

##### **WARRANTY:**

2 YEARS (EXPANDABLE UPTO 4 YEARS)

**WEBSITE:** <http://bornelectronics.com/>