



## 52 ports L3 managed PoE Switch BC348PGM4T series

### ❖ Overview

The BC348PGM4T is a 52-ports managed PoE switch that supports up to 48 \*10/100/1000M PoE ports and 4\*10G SFP ports. 48\*10/100/1000M ports support PoE+, conforming to IEEE 802.3af/at standard.

Support L3 management, such as OSPF, RIP, QoS, VLAN, MSTP, Multi-broadcast, ports management and PoE management.

It has the characteristics of reliable work, good for engineering installation, strong and durable, high cost performance and so on. It can be used in security network video monitoring system, network engineering and other occasions.

### ❖ Picture



### ❖ Features

- ❖ With 48 \*10/100/1000M PoE ports and 4\*10G SFP ports;
- ❖ Supports L3 management, such as OSPF, RIP, QoS, VLAN, MSTP, Multi-broadcast, ports management and PoE management;
- ❖ 6KV surge protection, 6KV contact / 8KV air ESD protection;
- ❖ Supports working temperature -10°C~50°C;
- ❖ Supports wall mounting and desktop installation.

### ❖ Specifications

Hardware:



# 52 ports L3 managed PoE Switch BC348PGM4T series

Parameter	Specifications
Power supply	Powered by AC power
Range of voltage	AC 100~240V, 50/60Hz
Consumption	Self-consumption<20W
Downlink ports	Ports 1~48: 10/100/1000Base-T PoE RJ45(IEEE802.3af/at) ;
Uplink ports	Ports 49~52: 10G SFP slots
PoE ports	1-48 each ports maximum 30W output
Cable and distance	Use cat5e/6, 100m max.
Standard	IEEE802.3, IEEE802.3u, IEEE802.3z
Switch fabric	176Gbps
Though put	130.9Mpps
Buffer	16M
MAC address table	8K
Indicator	Power: red indicator; Downlink1~48: On RJ45 green LEDs indicate Link/Act, yellow LEDs indicate PoE Uplink 49~52: Green LEDs indicate Link/Act
Protection	Surge: 6KV, standard: IEC61000-4-5 ESD: 6KV: contact / 8KV: air, standard:IEC61000-4-2
Working temperature	-10°C~50°C
Storage temperature	-40°C~85°C
Humidity	0~95%(No condensation)
Dimension(LxWxH)	442mmx285mmx44mm
Material	Metal
Color	Black
Net-weight	7.4KG

## Software:

L2 Features	Port configuration	Auto-negotiation
		Flow Control
		Port Mirror
		Traffic statistics
	Link Aggregation	Static link aggregation
		LACP



# 52 ports L3 managed PoE Switch BC348PGM4T series

		Algorithm based on Source/Destination MAC
		Algorithm based on Source/Destination IP
		8 groups
		8 ports per group
	MAC Table	Aging Time
		Static MAC address
		Dynamic MAC address management
	VLAN	4K Active VLANs
		4K VID
		802.1Q Tag VLAN
		Port VLAN
		Protocol VLAN
		MAC VLAN
		Management VLAN
		Voice VLAN
		Q-in-Q
		Private VLAN
		GARP/GVRP
	ACL	64 ACLs
		L2, L3 e L4
		Time-based ACL
	Spanning tree	802.1D Spanning Tree Protocol (STP)
		802.1w Rapid Spanning Tree Protocol (RSTP)
		802.1s Multiple Spanning Tree Protocol (MSTP)
		Loop Guard
		Root Guard
		TC-BPDU Guard
		BPDU Guard
		BPDU Filter
	Multicast	256 groups
IGMP v1/v2/v3		
Fast Leave		



# 52 ports L3 managed PoE Switch BC348PGM4T series

		Multicast VLAN
		Static Multicast
		Multicast Filter
		IGMP Statistics
		MLD Snooping
	QOS	4 priority queues
		CoS port-based
		CoS 802.1p-based
		CoS DSCP-based
		Scheduling algorithms SP, WRR, SP+WRR
		Storm Control (Broadcast, Multicast, Unknown Unicast)
		Bandwidth control per port
Security Features	Port Security	
	MAC address filter	
	ARP Association (Manual, ARP scanning, DHCP snooping) up to 200 entries	
	ARP Protection	
	DoS (Denial of Service)	
	Classification of packages based on: End.MAC, IP End, TCP / UDP Ports, Protocol Type	
	802.1x Authentication (port-based e MAC-based)	
	TACACS/TACACS+ Authentication	
	RADIUS Authentication	
	DHCP Filter	
	Guest VLAN	
	SSLv2/SSLv3/TLSv1	
	SSHv1/SSHv2	
	Restriction of WEB access based on: IP Address, And. MAC and Port	
	Port Isolation	
Local User Name Password Authentication (2 levels)		
Loopback detection		
Management	SNMP v1/v2c/v3	



# 52 ports L3 managed PoE Switch BC348PGM4T series

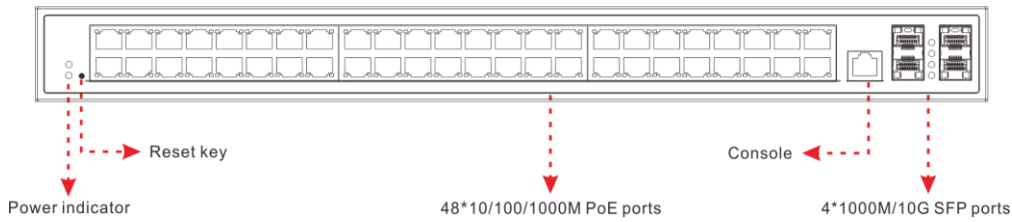
	RMON 4 grupos
	WEB (HTTP/HTTPS)
	CLI (Telnet, Console, SSHv1/v2)
	Firmware upgrade via console/web/TFTP
	Configuration Backup/Reload
	All possible configurations in the CLI must exist in the WEB interface
	LLDP
Other Features	DHCP Relay
	DHCP Client
	DHCP Snooping
	DHCP Option 82
	SNTP Client
	BOOTP Client
Maintenance	Ping and Tracert
	System log (Local and Remote)
	Memory and CPU Monitoring
L3 Features	Static Routing
	OSPFv2
	RIPv1/v2
	DHCP Server
IPV6	IPv6 neighbor discovery (ND)
	Path maximum transmission unit (MTU) discovery
	Internet Control Message Protocol (ICMP) version 6
	TCPv6/UDPv6
	Ping6
	Tracert6
	Telnet(v6)
	Http/Https
	IPv6 TFTP
	Static Routing
	Interface IPV6



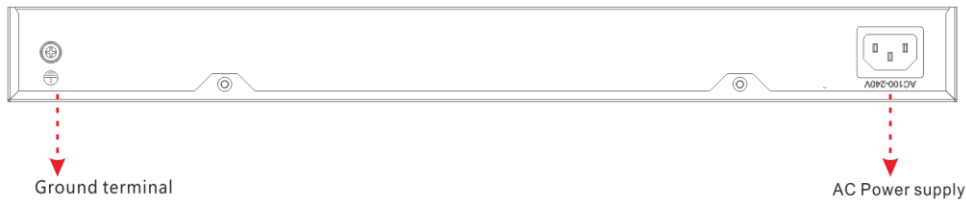
# 52 ports L3 managed PoE Switch BC348PGM4T series

## ❖ Panel diagram

### ● Front panel

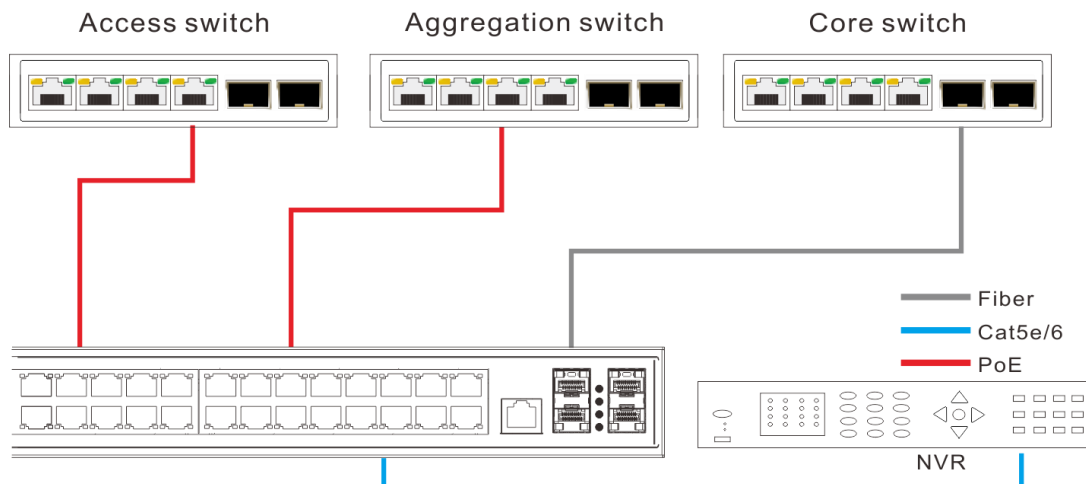


### ● Back panel



**⚠ Attention 1:** This product must be well grounded against lightning, please use better than 20# cable to connect the grounding terminal and ground.

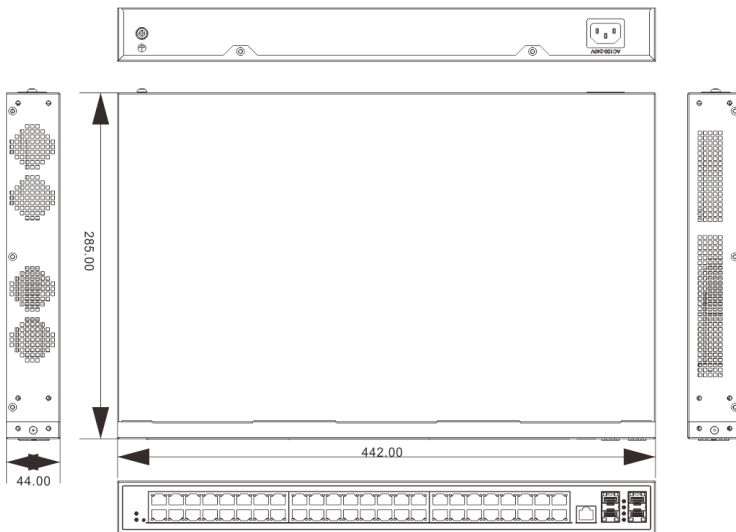
## ❖ Application





# 52 ports L3 managed PoE Switch BC348PGM4T series

## ❖ Dimensions



## ❖ Order information

Model	Description
BC348PGM4T – 400W	With 48 *10/100/1000M PoE ports and 4*10G SFP ports; Support 48 ports PoE power each up to 30W; It has 400W built-in power supply, L3 network management; It has the characteristics of reliable work, good for engineering installation, strong and durable, high cost performance and so on. It can be used in security network video monitoring system, network engineering and other occasions. It supports wall mounting and desktop installation.

### **BORN ELECTRONICS LIMITED**

**ADDRESS:**

#94A  
Goldsmith Avenue  
London  
United Kingdom  
Phone: +4479 1989 8604  
Email: [info@bornelectronics.com](mailto:info@bornelectronics.com)

**WARRANTY:**

2 YEARS (EXPANDABLE UPTO 4 YEARS)

**WEBSITE:** <http://bornelectronics.com/>