



20 ports Full Gigabit PoE Switch

BC216PG2GF series

❖ Overview

BC216PG2GF is a 20-port PoE unmanaged switch series that supports up to 16*10/100/1000M PoE ports, 2*10/100/1000M ports and 2*1000M SFP slots. 16*10/100/1000M ports support PoE+, conforming to IEEE 802.3af/at standard, single port PoE power up to 30W. It provides two modes, Default and VLAN, to adapt to various complex environments. At the same time, it supports the PoE usage rate indication, which is convenient to show the consumption of PoE power.

BC216PG2GF has a high anti-interference ability, the product supports 6KV surge protection, and 6KV/8KV ESD protection.

BC216PG2GF supports wall hanging and desktop installation, reliable and durable, and can be used in security network video monitoring, network engineering and other occasions.

This switch series contain 300W and 200W power module, two versions to choose.

❖ Picture



❖ Features

- With 16*10/100/1000M PoE ports, 2*10/100/1000M ports and 2*1000M SFP slots;
- The maximum PoE power of single port is 30W;
- Provides two modes of Default and VLAN to adapt to various complex environments;
- Supports the PoE usage rate indication, which is convenient to show the consumption of PoE power.
- 6KV surge protection, 6KV/8KV ESD protection;
- Supports wall hanging and desktop installation.



20 ports Full Gigabit PoE Switch BC216PG2GF series

❖ Specifications

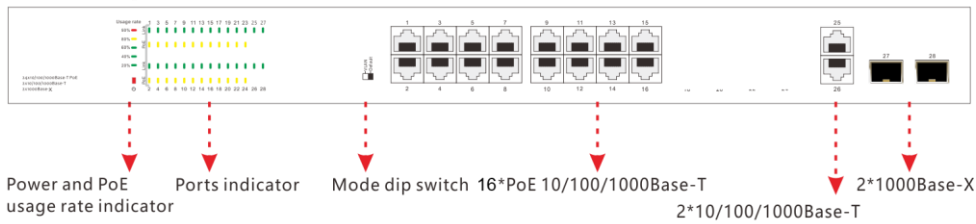
Parameter	Specifications
Power supply	AC power supply
Range of voltage	AC100-240V, 50/60Hz
Consumption	Self-consumption<20W, PoE output 270W/180W
Downlink ports	Ports 1~16 10/100Base-TX 30W PoE RJ45(IEEE 802.3af/at)
Uplink ports	17~20 ports: 10/100/1000Base-TX RJ45; 27~28 ports: 1000Base-X SFP
PoE ports	Ports 1~16 support IEEE802.3af/at, end-span, 30W per port Max.
POE Usage rate	20%, 40%, 60%, 80%, 90% LED indicator, indicates PoE usage.
Working mode	Default mode: normal switch mode. VLAN mode: ports 1 ~ 16 are isolated from each other and can only communicate with the uplink port; restrain the network storm; turn off the flow control.
1~24 PoE ports	Support IEEE 802.3af/at, end-span, single port \leq 30W
Cable and distance	Use cat5e/6, 100m max
Standard	IEEE802.3, IEEE802.3u, IEEE802.3z
Switch fabric	40Gbps
Though put	29.76Mpps
Buffer	4M
MAC address table	8K
Indicator	Power: 1 *red ; 20%, 40%, 60%, 80%, 90% LED indicator, indicates PoE usage. Uplink 17~20: RJ45 green LED indicate Link/Act Downlink1~16: RJ45 green LED indicate Link/Act, yellow LED indicate PoE
Protection	Surge: 6KV, standard: IEC61000-4-5 ESD: 6KV: contact 8KV: air, standard:IEC61000-4-2
Working temperature	-10°C~50°C
Storage temperature	-40°C~85°C
Humidity	0~95%(No condensation)
Dimension(L×W×H)	442mm×285mm×44mm
Material	Metal
Color	Black
Net-weight	3.8KG



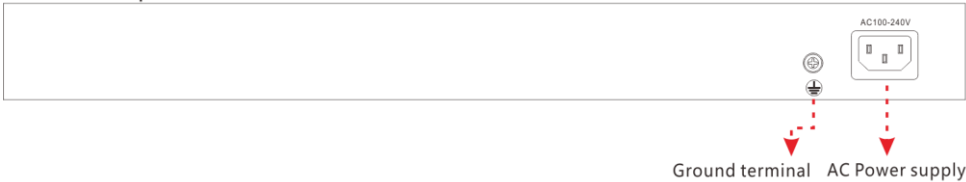
20 ports Full Gigabit PoE Switch BC216PG2GF series

❖ Panel diagram

● Front panel

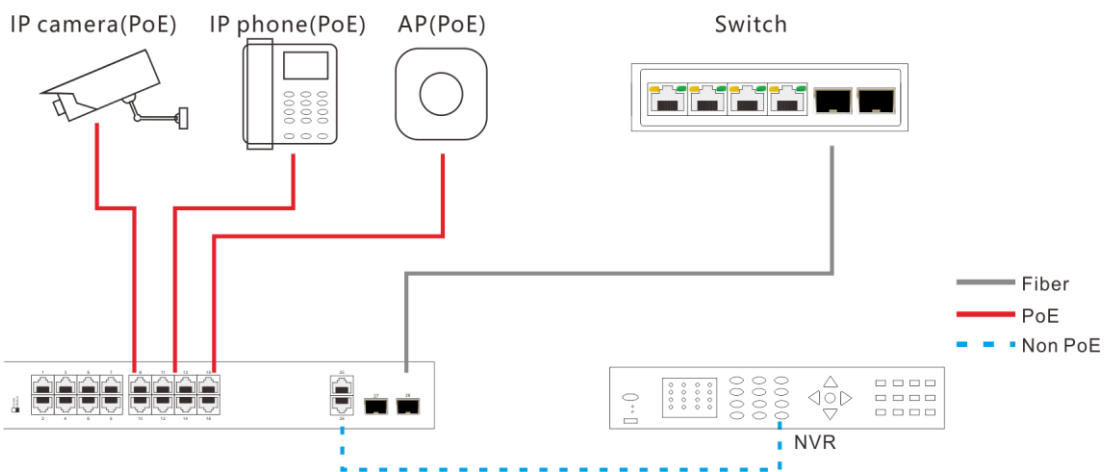


● Back panel



- ▲ **Attention 1:** This product must be well grounded against lightning, please use better than 20# cable to connect the grounding terminal and ground.
- ▲ **Attention 2:** Default, VLAN mode: It can be selected by dip switch.
Default: common switch.
VLAN: 1-16 ports are isolated, only can communicate with the uplink ports 17-18; restrain the network storm; close flow control.

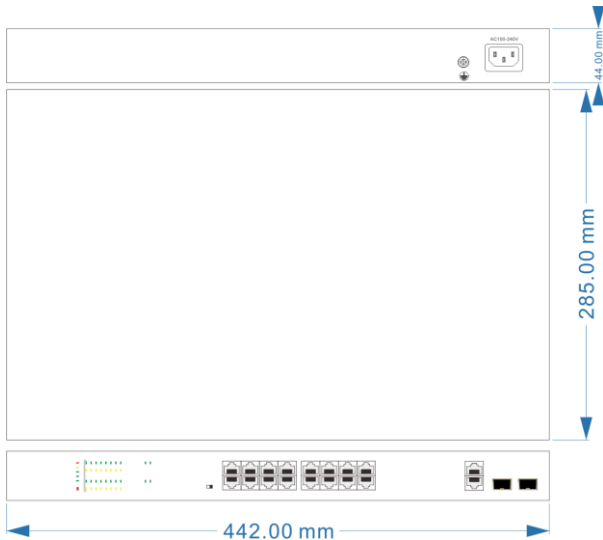
❖ Application





20 ports Full Gigabit PoE Switch BC216PG2GF series

❖ Dimensions



❖ Order information

Model	Description
BC216PG2GF -300W	16*10/100/1000 PoE RJ45 ports, 2*10/100/1000 RJ45 ports, 2*1000 SFP slots; Default, VLAN working mode; PoE usage indicators; 300W power module (270W PoE power output).
BC216PG2GF-200W	16*10/100/1000 PoE RJ45 ports, 2*10/100/1000 RJ45 ports, 2*1000 SFP slots; Default, VLAN working mode; PoE usage indicators; 200W power module (180W PoE power output).

BORN ELECTRONICS LIMITED

ADDRESS:

#157
Sixth Avenue
E12 5PT
London
United Kingdom
Phone: +44 7981 658911
Email: info@bornelectronics.com

WARRANTY:

2 YEARS (EXPANDABLE UPTO 4 YEARS)