



10 ports Full Gigabit PoE Switch BC208PG2F series

❖ Overview

BC208PG2F is a 10-port, full gigabit PoE network switch that supports up to 8*10/100/1000M PoE ports and 2*1000M SFP ports. 8*10/100/1000M ports support PoE+, conforming to IEEE 802.3af/at standard. Two of them support the 90W high-power PoE, and the other six support the 30W PoE.

BC208PG2F has the characteristics of reliable work, good for engineering installation, strong and durable, high cost performance and so on. It can be used in security network video monitoring system, network engineering and other occasions.

❖ Picture



❖ Features

- ❖ With 8 *10/100/1000M PoE ports and 2*1000M SFP ports;
- ❖ Support 2 port PoE power each up to 90W, 6 port PoE power each up to 30W;
- ❖ 6KV surge protection, 6KV contact / 8KV air ESD protection;
- ❖ Support working temperature -10°C~50°C.

❖ Specifications

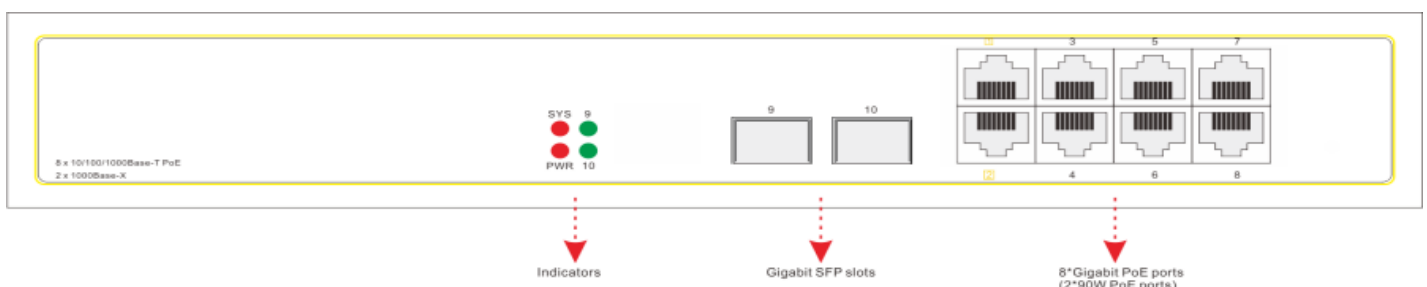
Parameter	Specifications
Power supply	Powered by AC power
Range of voltage	AC 100~240V, 50/60Hz
Consumption	Self-consumption<20W, PoE output185W max.
Downlink ports	Ports 1~2 10/100/1000Base-T 90W PoE ; RJ45(IEEE 802.3bt, also support IEEE8025.3af/at) ; Ports 3~8 10/100/1000 Base-T 30W PoE RJ45(IEEE802.3af/at)



10 ports Full Gigabit PoE Switch BC208PG2F series

Uplink ports	Ports 9~10 1000Base-X SFP slots
PoE ports	1-2 ports maximum 90W, 3-8 ports maximum 30W output
Cable and distance	Use cat5e/6, 100m max.
Standard	IEEE802.3, IEEE802.3u, IEEE802.3z
Switch fabric	20Gbps
Through put	14.88Mpps
Buffer	1M
MAC address table	8K
Indicator	Power: 1 *red ; Downlink1~8: On RJ45 green LEDs indicate Link/Act, yellow LEDs indicate PoE Uplink 9~10: green LEDs indicate Link/Act
Protection	Surge: 6KV, standard: IEC61000-4-5 ESD: 6KV: contact/8KV: air, standard: IEC61000-4-2
Working temperature	-10°C~50°C
Storage temperature	-40°C~85°C
Humidity	0~95%(No condensation)
Dimension(LxWxH)	270 mmx180 mmx44mm
Material	Metal
Color	Black
Net-weight	800g

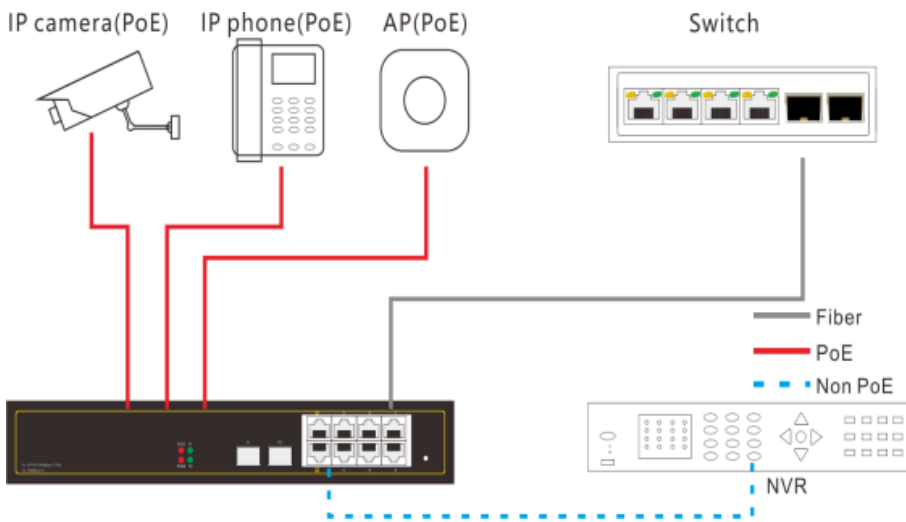
❖ Panel diagram



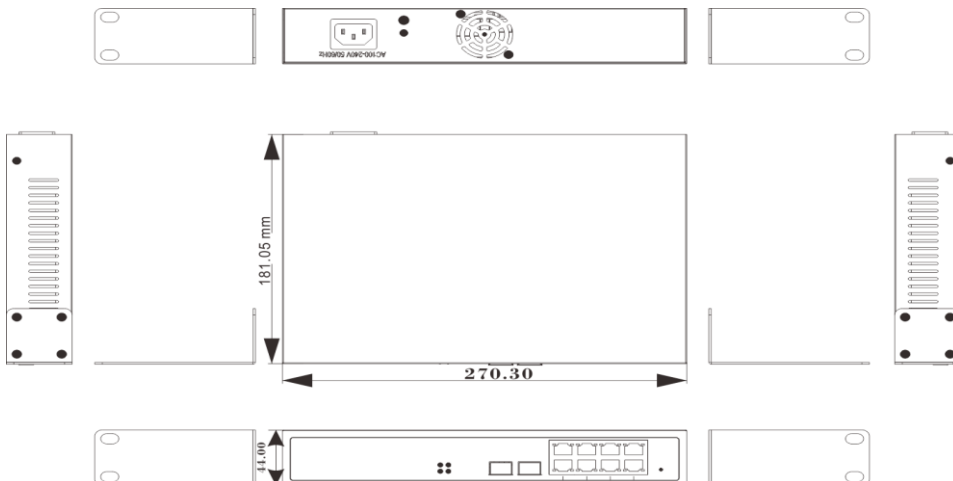


10 ports Full Gigabit PoE Switch BC208PG2F series

❖ Application



❖ Dimensions





10 ports Full Gigabit PoE Switch BC208PG2F series

❖ Order information

Model	Description
BC208PG2F-200W	With 8 *10/100/1000M PoE ports and 2*1000M SFP ports; Support 2 port PoE power each up to 90W, 6 port PoE power each up to 30W. It has 200W built-in power supply. It has the characteristics of reliable work, good for engineering installation, strong and durable, high cost performance and so on. It can be used in security network video monitoring system, network engineering and other occasions.

BORN ELECTRONICS LIMITED

ADDRESS:

#157
Sixth Avenue
E12 5PT
London
United Kingdom
Phone: +44 7981 658911
Email: info@bornelectronics.com

WARRANTY:

2 YEARS (EXPANDABLE UPTO 4 YEARS)