

BC2016PG2F-150W Series 18 Ports Non-managed PoE Switch



Ideal for:

 Telecom	 Hotels & Resorts
 Universities	 Healthcare
 Public Places	 Airport
 Transport	 Industries

OVERVIEW

BC2016PG2F- 150W is gigabit AI PoE switch, 16 10/100/1000Mbps PoE port with 2 Gigabit SFP Ports. AI 1016G can carry power to IP camera, wireless AP, wireless bridge, IP phone. BC2016PG2F- 150W is with 4 working mode, In AI VLAN mode, 1 -16 ports are isolated from each other, which can effectively restrain network storms and improve network performance. In AI Extend mode, the effective transmission distance of 1-8 ports can reach 250 meters, which is suitable for remote monitoring and power supply.

In the AI power supply mode, the switch automatically detects the working status of the PD device and finds that the device abnormal automatically restarts the device. In AI QoS mode: the video data will be processed preferentially when the device is congested to make the video smoother BC2016PG2F- 150W support IEEE802.3af/at, auto identification power device, so don't worry it will destroy the private standard PoE or non-PoE device.

FEATURES

- AI Extend: 1-8 port supports 250M meters long distance power supply (recommended cat 5 or above).
- AI VLAN: Isolating ports 1-16 from each other, restrain network storms effectively and improve network performance.
- AI QoS: Prioritize the identified video data to make video transmission smoother.
- AI PoE: Automatic detection power of port, power off and restart the device if find.
- Support 16 port 10/100/1000Mbps, IEEE802.3af, IEEE802.3at standard PoE supply power. When working mode is
- Extend mode, port1-port 8 can support 250m supply power
- With two gigabit SFP port(17, 18), use for gigabit SFP module.

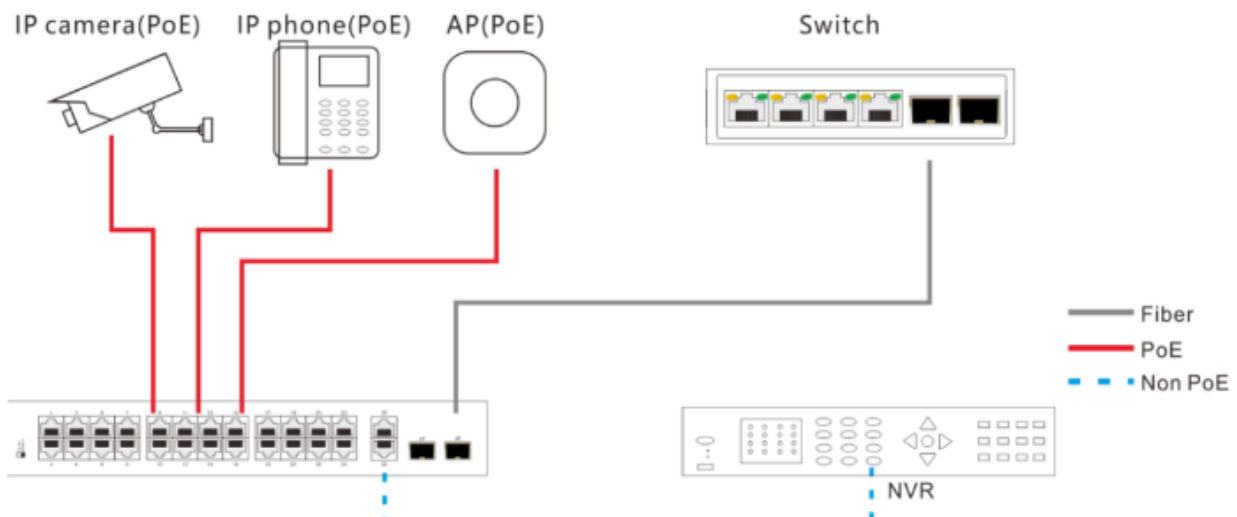
BC2016PG2F-150W Series 18 Ports Non-managed PoE Switch



SPECIFICATIONS

Standard	IEEE 802.3i IEEE 802.3u IEEE 802.3x IEEE 802.3ab IEEE 802.3af IEEE 802.3at
Port	16 10/100/1000Mbps RJ45 ports 2 Gigabit SFP ports
PoE	16 10/1000Mbps RJ45 PoE ports Total power budget: 150W Single port max. 30W
Indicator	18 Link/Act indicator light 16 PoE indicator light 1 Power indicator light
Performance	forwarding mode:storage forwarding Bankplane bandwidth:36Gbps Packet forwarding rate:26.8Mpps Support 8K MAC address list depth
Input power	100-240V/50-60Hz
Dimensions(L×W×H)	440mm×180mm×44mm

APPLICATION



BC2016PG2F-150W Series 18 Ports Non-managed PoE Switch



DIMENSIONS



ORDER INFORMATION

Model	Description
BC2016PG2F-150W Series	16 10/100/1000Mbps RJ45 ports, 2 Gigabit SFP ports, PoE budget 150W, Max 30W each port.

WARRANTY: 2 YEARS (EXPANDABLE UPTO 5 YEARS)



337 Forest Road,
London, United Kingdom



+44 7859 571344



info@bornelectronics.com



<https://bornelectronics.com/>